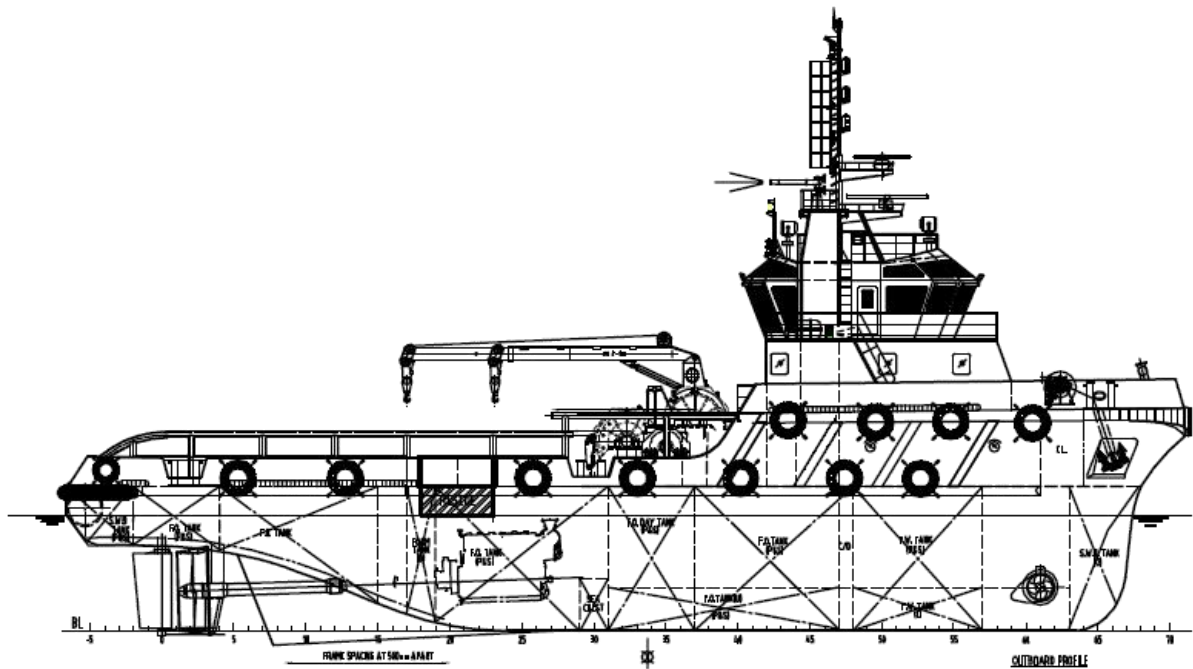




JANTLE MARINE

www.jantlemarine.com



General Description

The vessel is to be all welded steel construction with twin diesel engines, twin FP propellers. The vessel is registered as unrestricted service with duties of Transportation of deck cargo, personnel and consumables – F.W. & F.O. & bulk cement & liquid mud & drill water & brine & general materials & equipments etc to offshore from shore base, External fire-fighting, Rescue, Offshore platform towing / pushing, Anchor handing and Spilled oil recovery.

Principal Particulars

Length overall	: 39.00M	Fuel oil capacity	: 350 m3
Length water line	: 36.14M	Fresh water capacity	: 100 m3
Beam moulded	: 10.80M	G.T(ESTD)	: 499 Ton
Depth moulded	: 5.00M	Deck Area	: 130 m2
Draft designed	: 4.00M		
Complement	: 14 men		

Performance

Trial Speed	: 12.5 knot
Bollard pull(Ahead)	: about 60 tonnes

Class Notation

BV class 1, Hull, Mach, Tug, Unstricted Navigation

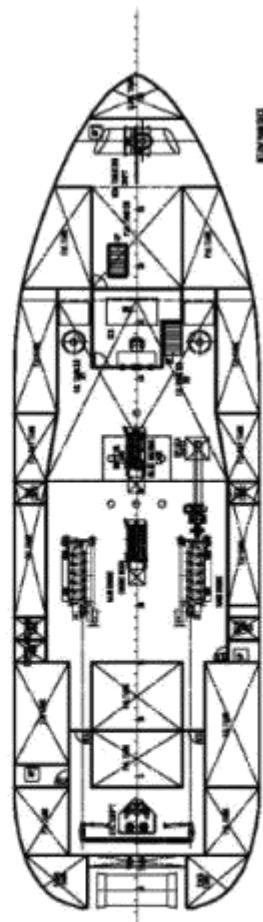
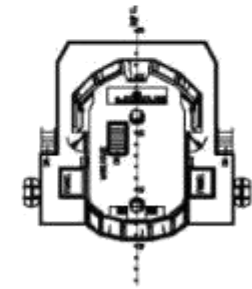
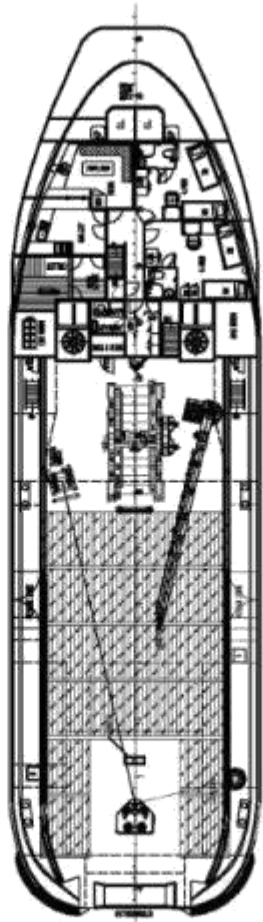
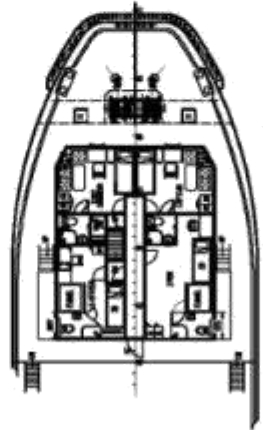
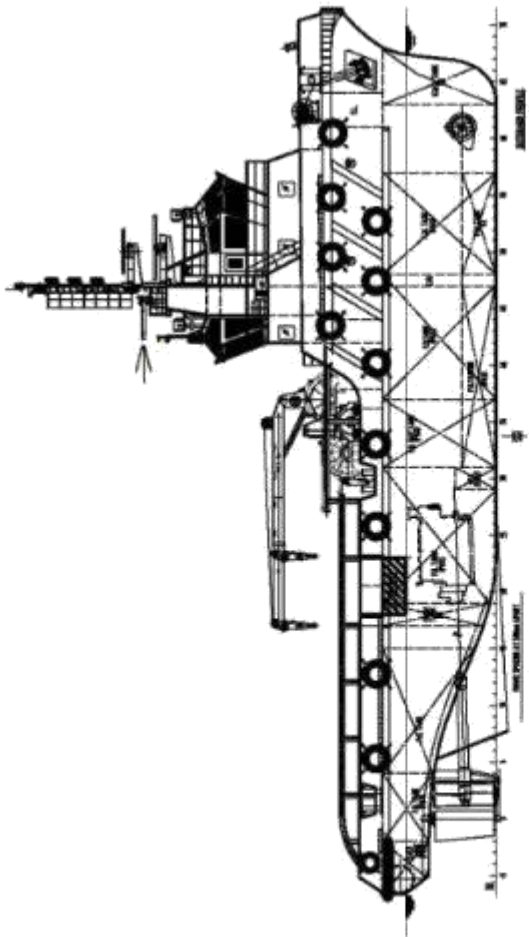
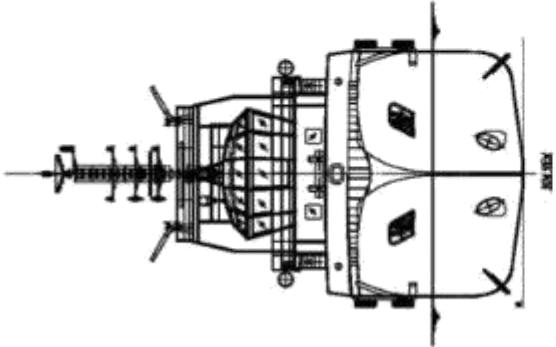
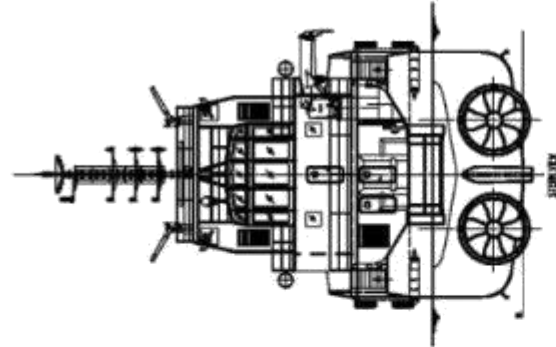
Main equipments

Main engine/FPP:	2 sets, Niigata, M/E: 6MG28HX, 2250bhp@750rpm
Gear Box:	2 sets, Hitachi-Nico, MGN5023Z, 3.15:1
Bow Thrusters:	1 set, Jiangsu Marine, TT900-FP, 150kw electric motor drive
Main generator :	2 sets, Cummins QSM11-D(M), 245kW, 415V, 50Hz
Fi-Fi fire-fighting:	2 sets, 35m ³ /h×30m, 25m ³ /h×35m
Towing Winch:	1 set, Double Split Drum, SWL 60Ton



JANTLE MARINE

www.jantlemarine.com



PRINCIPAL DIMENSIONS

LENGTH OVERALL 36.00 M
 LENGTH MAINSHEER 29.14 M
 BREADTH MOULDED 10.00 M
 DEPTH MOULDED 4.00 M
 DRAUGHT 4.00 M

WEIGHT MOULDED 40.0 TONNES
 GROSS TONNAGE 100 GRT
 NET TONNAGE 60 GRT

CRANE 1 X 10 TON
 FUEL OIL 200 M³
 FRESH WATER 100 M³
 TOTAL POWER 2 X 200 HP
 TRIM SPEED 13.0 KNOTS
 BOLLAARD PULL (MAX) 40.0 TONNES
 WINCHES 4 X 2000 KG
 DECK AREA 100 M²

NO.	DESCRIPTION	UNIT	QTY	REMARKS
1	LENGTH OVERALL	M	36.00	
2	LENGTH MAINSHEER	M	29.14	
3	BREADTH MOULDED	M	10.00	
4	DEPTH MOULDED	M	4.00	
5	DRAUGHT	M	4.00	
6	WEIGHT MOULDED	T	40.0	
7	GROSS TONNAGE	GRT	100	
8	NET TONNAGE	GRT	60	
9	CRANE CAPACITY	T	10	
10	FUEL OIL CAPACITY	M ³	200	
11	FRESH WATER CAPACITY	M ³	100	
12	TOTAL POWER	HP	400	
13	TRIM SPEED	KNOTS	13.0	
14	BOLLAARD PULL (MAX)	T	40.0	
15	WINCHES	NO.	4	
16	DECK AREA	M ²	100	

GENERAL ARRANGEMENT

SCALE: 1:100

DATE: 2023.10.10

DESIGNED BY: JANTLE MARINE

CHECKED BY: JANTLE MARINE

APPROVED BY: JANTLE MARINE

REVISION:

NO.	DESCRIPTION	DATE
1	ISSUED	2023.10.10



JANTLE MARINE

www.jantlemarine.com

